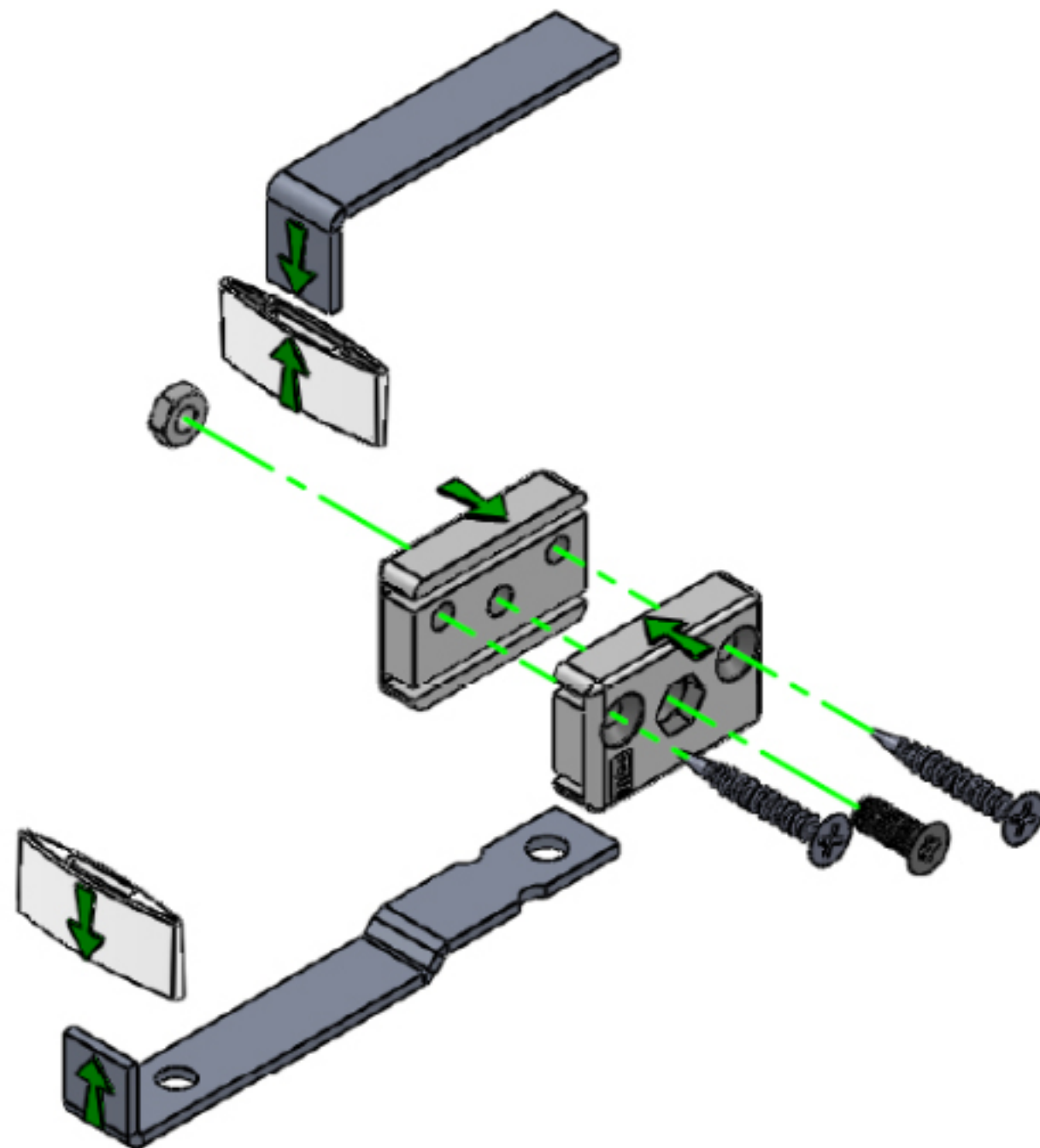


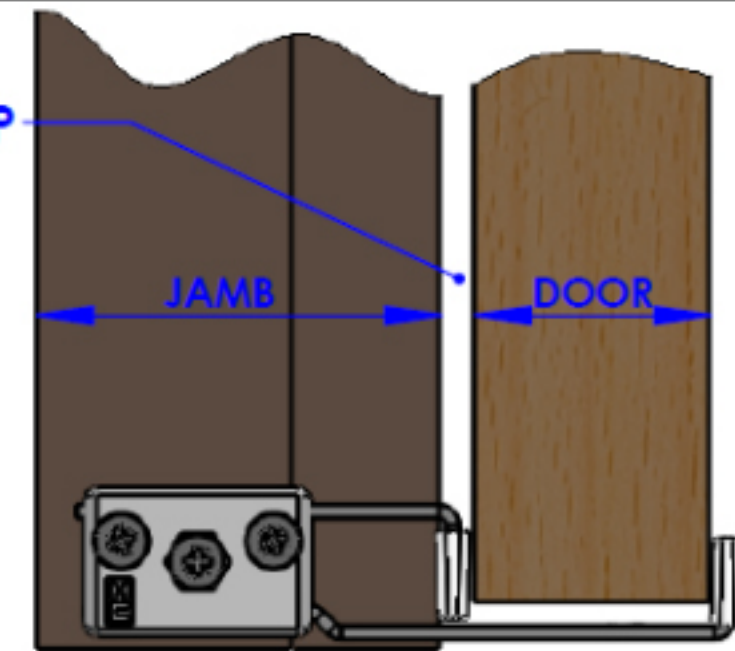
# 97-780 SLIDING DOOR GUIDE

# FIXING INSTRUCTIONS

SUITABLE FOR ALL INTERIOR SLIDING DOORS  
UP TO 1500mm (4'11") WIDE AND 32mm  
(1.25") TO 45mm (1.75") THICK  
IRRESPECTIVE OF ANY TYPE OF FLOORING



5mm MIN. GAP



SECTION AT BOTTOM OF DOOR

1. Press one nylon shoe on to upturn of long bottom arm and the other shoe on to the short top arm. N.B. both shoes should have the base (with void) facing downwards.
2. Take both nylon housings and place bottom arm in lower slot engaging notch with raised nib inside slot. Place top arm in plain upper slot.
3. Bolt together the two halves of housing using set screw and nut through the hexagonal centre hole. DO NOT TIGHTEN.
4. With sliding door fully open, place assembled guide as shown against jamb with a shoe on each side of the door. adjust the throw of the top arm to give minimal clearance on both sides of door.
5. Tighten centre set screw to retain arms in selected positions, and mark through and fix housing to jamb using two wood screws via fixing holes.

N.B. This guide can be used either hand.